

Product: **Pilfer – Proof 22 x 15 mm**
 Bottle Neck finish: **22 Std (GME 30.06)**

Shell Material	
Al Composition	EN AW-8011A Al Fe Si (A) EN541/EN573-3
Al Condition	H14
Specific gravity g/cm ³	2.71
Tensile strength Rm MPa	110 - 150
Elongation. A50, % min	≥3.0
Anisothropy, % max	≤2.0
Material Thickness, mm	0.19 ± 0.01

Closure Characteristics	
Outside diameter , mm	Ø 22.6 ± 0.4
Height, mm	15.1 ± 0.2
Inside diameter, mm	Ø 22.15 min
Weight without liner, g.	0.89 ± 5%
Internal lacquer type	Modified epoxy
External lacquer type	Modified polyester
Resins obtained from monomers without any phenols or phtalates.	

Recommended application details:	Head pressure force, N	550-650
	Side roller pressure force, N	80-100
	Undertuck roller pressure force, N	60-100
Removal Torque:	Bridges Breaking Torque, N.m.	0.44 – 1.13

NOTE: REMOVAL TORQUES ARE DEPENDANT ON VARIATIONS IN GLASS AND APPLICATION CONDITIONS.

LINER	
Liner material:	Foam polyethylene
Liner thickness, mm	1.8 ± 10%
Liner weight, g	0.10 ± 1%
User has to verify the closures suitability with the specific bottled product and to guarantee the absence of chemical and organoleptic alterations.	

Food Contact Approval

All materials intended to come into contact with food are in conformity with the European Community directives, the relevant national regulations and the relevant FDA requirements.

All products comply with Commission directive 94/62/EC concerning heavy metals.

All resins and additives used for inside lacquer production comply with the following Regulations:

Commission directive 2002/72/ EC of 6 August 2002 relating to plastic materials and articles intended to come into contact with foodstuffs.

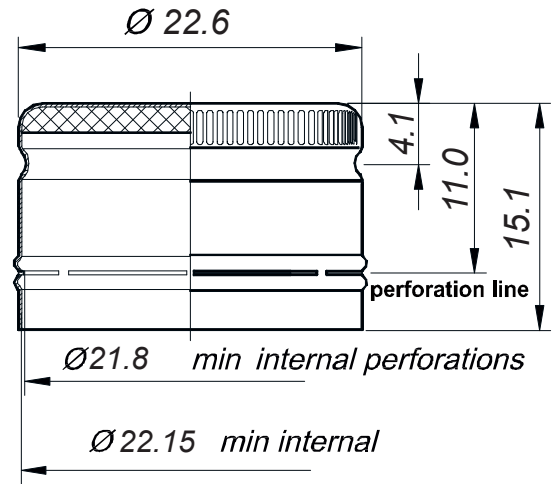
FDA regulation; CFR 21, chapter 175.300 Resinous and polymeric coatings

Packaging specification

Quantity, pcs.	9 500 pcs	Pallet type – Euro pallet	Dimension 1200 x 800 x*
Box Dimension, mm	600 x 400 x 370 mm		* Height of the pallet may vary with customers' requirements
Cardboard Type	Corrugated five layer cardboard	Outside packing	Stretch wrapped
Polyethylene Sack	Polyethylene –non-toxic, antistatic <100 ppm Pb, Cd, HgCr⁺⁶		
Adhesive Strip (Scotch)	50 mm	Pallet identification	Labelling
Product Identification	Labelling		

Notes: Closures shall be stored in a well-ventilated place avoiding direct sunlight and strong odour for the period of 2 years. Pallets shall not be stacked.

Closure Drawing



Relevant Bottle Neck Drawing

