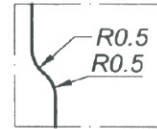
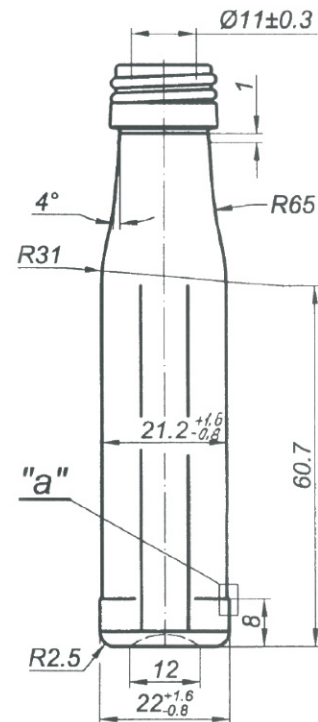
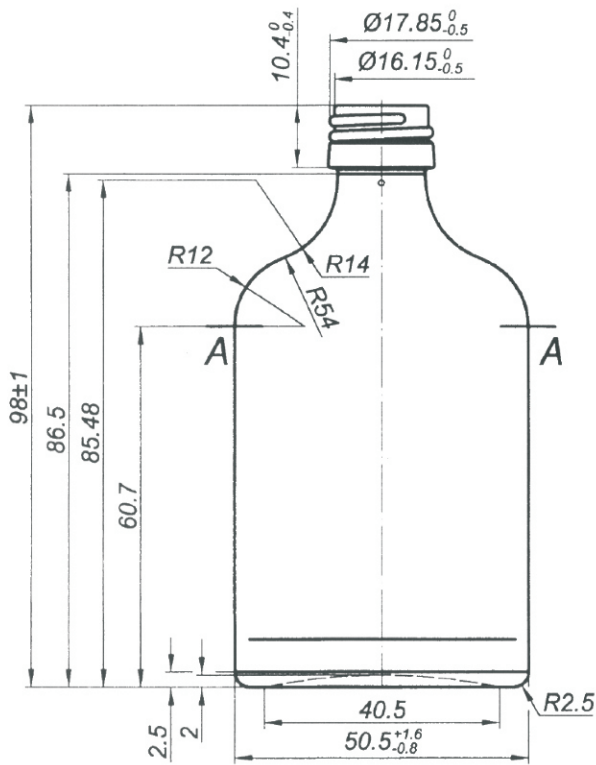
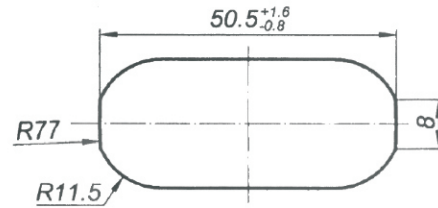


"a"

10:1



A-A



DATE	REVISIONS	CAP. FILLPT.	40 ml.			
05/11/2009		CAP. BRIMF.	42 ±2 ml.			
		FINISH	PP 18	MOLD No.	548402	BOTTLE
		HEIGHT	98 mm	MACHINE	DG 5 1/2"	<b>Glass - mini</b> CAT. No <b>M 0404</b>
		DIAMETER	50,5 x 22 mm	DATE	05/11/2009	
		WEIGHT	77 g	UNITS PER PALLET	9 504	