

Product: **GPI 400-33 S**

Shell Material (Aluminium part)

Al Composition	EN AW-8011A
Al Condition	H14
Tensile strength Rm MPa	110 - 150
Elongation. A50, % min	≥ 3
Anisotropy, % max	≤ 2
Material Thickness, mm	0.20 ± 0,01

Lacquers and inks (aluminium part)

Internal lacquer type	Mod. Epoxy
External lacquer type	Mod. Polyester / Epoxyester
External ink type	Alkyd

Plastic Part

Body with thread	High Density Polyethylene (HDPE) + Polypropylene (PP)
------------------	--

Liner

Liner material:	Foam polyethylene (EPE)
Liner thickness, mm	1.5
Liner weight, g	∅ 31.3

Note: Tolerances for liners are +/-0.15 mm for thickness and diameter. The liner depends on the application or on the customer's requirement.

Food Contact Approval

All materials intended to come into contact with food are in conformity with the European Community directives, the relevant national regulations and the relevant FDA requirements.

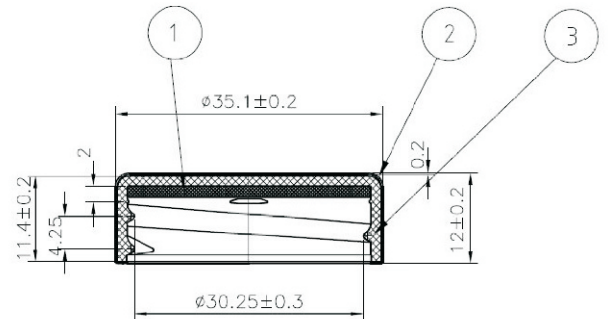
All products comply with Commission directive 94/62/EC concerning heavy metals.

All resins and additives used for inside lacquer production comply with the following Regulations:

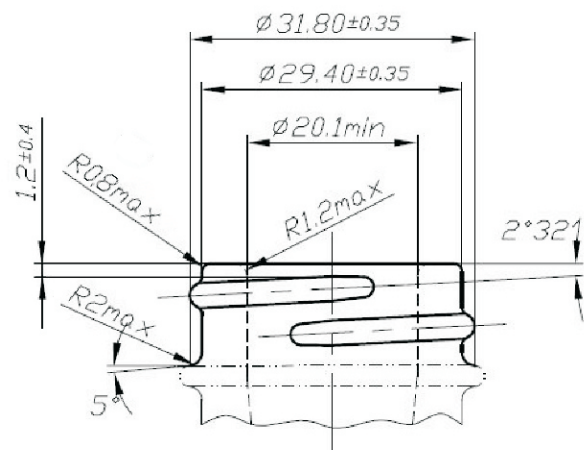
- Commission directive 10/2011 relating to plastic materials and articles intended to come into contact with foodstuffs.
- FDA regulation; CFR 21, chapter 175.300 Resinous and polymeric coatings

User has to verify the closures suitability with the specific bottled product and to guarantee the absence of chemical and organoleptic alterations.

Closure Drawing



Relevant Bottle Neck Drawing



Packaging specification

Quantity, pcs.	2 500 pcs	Pallet type – Euro pallet	Dimension 1200 x 800 x 1950 mm
Box Dimension (internal), mm	400 x 400 x 300 mm	Outside packing	Stretch wrapped
Cardboard Type	Corrugated five layer cardboard	Pallet identification	Labelling
Polyethylene Sack	Polyethylene –non-toxic, antistatic <100 ppm Pb, Cd, HgCr⁺⁶		
Adhesive Strip (Scotch)	50 mm		
Product Identification	Labelling		

Notes: Closures shall be stored in a well-ventilated place avoiding direct sunlight and strong odour for the period of 1 year. Pallets shall not be stacked.