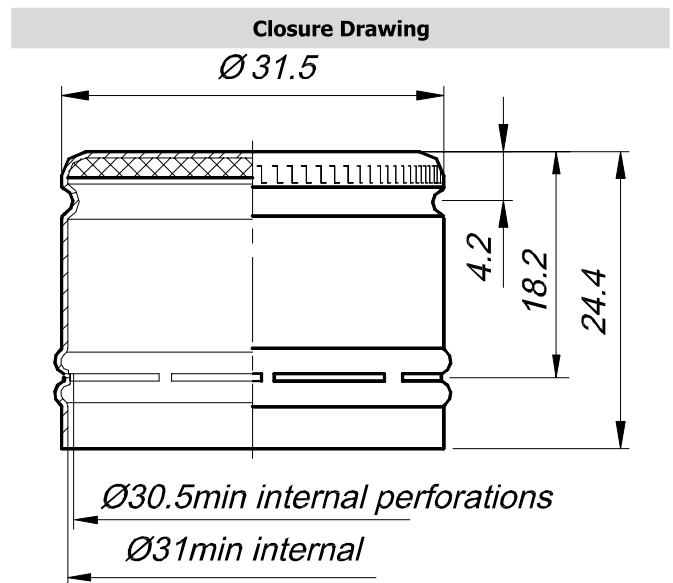


Product: **Pilfer – Proof 31.5 x 24 mm**
Bottle Neck finish: **DIN 6094-7; GME 305C; GF 305**

Shell Material	
Al Composition	EN AW-8011A
Al Condition	H14
Specific gravity g/cm ³	2.71
Tensile strength Rm MPa	110 - 150
Elongation. A50, % min	≥ 3
Anisotropy, % max	≤ 2
Material Thickness, mm	0.22 ± 0,01

Closure Characteristics	
Outside diameter , mm	Ø 31.5 ± 0.3
Height, mm	24.4 ± 0.2
Inside diameter, mm	Ø 31 min
Weight without liner, g.	1.72 ± 1%
Internal lacquer type	Polyester base
External lacquer type	Mod. polyester base

Resins obtained from monomers without any phenols or phtalates.



Recommended application details:	Head pressure force, N	1050-1200
	Side roller pressure force, N	80-120
	Undertuck roller pressure force, N	60-100
Removal Torque (dry bottle neck):	Bridges Breaking Torque, Nm	0.78 – 1.58

NOTE: THESE VALUES ARE STARTING VALUES AND CAN BE VARIED ACCORDING TO THE RESULTS TO BE ACHIEVED.

LINER	
Liner material:	Foam (Expanded) Polyethylene (EPE)
Liner thickness, mm	1.8± 10%
Liner weight, g	0.3 ± 1%

User has to verify the closures suitability with the specific bottled product and to guarantee the absence of chemical and organoleptic alterations.

Food Contact Approval: All materials intended to come into contact with food are in conformity with the European Community directives, the relevant national regulations and the relevant FDA requirements.

All products comply with Commission directive 94/62/EC concerning heavy metals.

All resins and additives used for inside lacquer production comply with the following Regulations:

- Commission directive 2002/72/ EC of 6 August 2002 relating to plastic materials and articles intended to come into contact with foodstuffs.
- FDA regulation; CFR 21, chapter 175.300 Resinous and polymeric coatings

Packaging specification

Quantity, pcs.	2 800 pcs	Pallet type – Euro pallet	Dimension 1200 x 800 x*
Box Dimension, mm	600 x 400 x 370 mm	* Height of the pallet may vary with customers' requirements	
Cardboard Type	Corrugated five layer cardboard	Outside packing	Stretch wrapped
Polyethylene Sack	Polyethylene –non-toxic, antistatic	Pallet identification	Labelling
Adhesive Strip (Scotch)	50 mm		
Product Identification	Labelling		

Notes: Closures shall be stored in a well-ventilated place avoiding direct sunlight and strong odour at temperatures 4°– 30°C for the period of 2 years after the date of production. Pallets are not stackable.