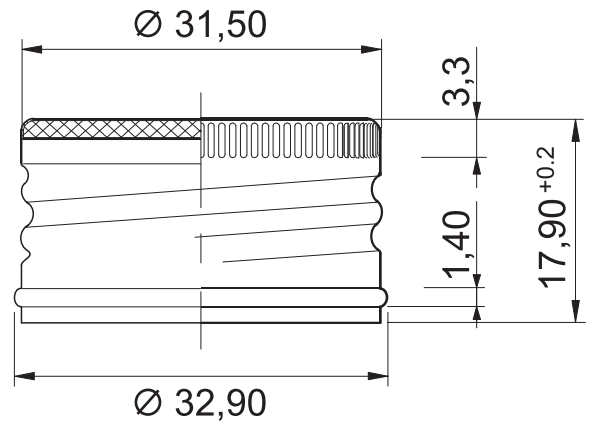


Product: **31,5 x 18 mm (welted edge)**

#### Shell Material

Al Composition	<b>EN AW-8011A</b>
Al Condition	<b>H14</b>
Specific gravity g/cm <sup>3</sup>	<b>2.71</b>
Tensile strength Rm MPa	<b>110 - 150</b>
Elongation. A50, % min	<b>≥ 3</b>
Anisotropy, % max	<b>≤ 2</b>
Material Thickness, mm	<b>0.23 ± 0,01</b>

#### Closure Drawing



#### Closure Characteristics

Outside diameter, mm	Ø <b>31.50 (32.90)</b>
Height, mm	<b>17.90 ± 0.2</b>
Inside diameter, mm	Ø <b>31.0</b>
Internal lacquer type	<b>Mod. epoxy</b>
External lacquer type	<b>Mod. epoxy</b>

**Resins obtained from monomers without any phenols or phthalates.**

#### LINER

Liner material:	Foam polyethylene
Liner thickness, mm	<b>1.8 ± 10%</b>
Liner weight, g	<b>0.27 ± 1%</b>

User has to verify the closures suitability with the specific bottled product and to guarantee the absence of chemical and organoleptic alterations.

**Food Contact Approval:** All materials intended to come into contact with food are in conformity with the European Community directives, the relevant national regulations and the relevant FDA requirements.

All products comply with Commission directive 94/62/EC concerning heavy metals.

All resins and additives used for inside lacquer production comply with the following Regulations:

- Commission directive 10/2011 relating to plastic materials and articles intended to come into contact with foodstuffs.
- FDA regulation; CFR 21, chapter 175.300 Resinous and polymeric coatings

#### Packaging specification

Quantity, pcs.	<b>5 000 pcs</b>	Pallet type – Euro pallet	<b>Dimension</b> <b>1200 x 800 x*</b>
Box Dimension, mm	<b>600 x 400 x 300 mm</b>	* Height of the pallet may vary with customers' requirements	
Cardboard Type	<b>Corrugated five layer cardboard</b>		
Polyethylene Sack	<b>Polyethylene –non-toxic, antistatic</b>	Outside packing	<b>Stretch wrapped</b>
Adhesive Strip (Scotch)	<b>&lt;100 ppm Pb, Cd, HgCr<sup>+6</sup></b>		
Product Identification	<b>50 mm</b> <b>Labelling</b>	Pallet identification	<b>Labelling</b>

**Notes:** Closures shall be stored in a well-ventilated place avoiding direct sunlight and strong odour for the period of 1 year.  
Pallets shall not be stacked.