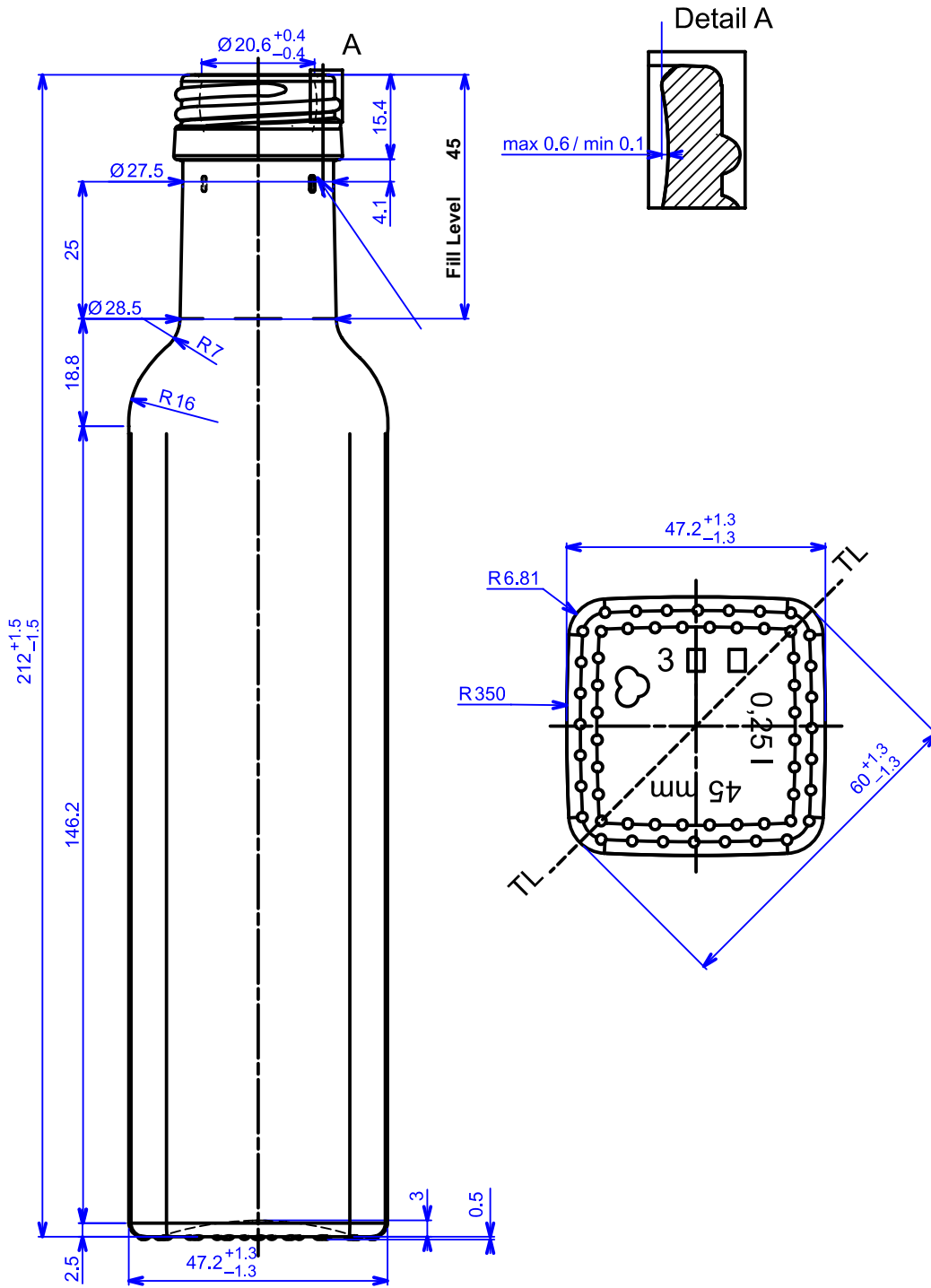


PP 31 S



DATE	REVISIONS	CAP. FILLPT.	250 ml			
01/08/2007	V. Janda	CAP. BRIMF.	266 ±6 ml			
		FINISH	PP 31,5S	MOLD No.	541877	BOTTLE
		HEIGHT	212 mm	MACHINE	DG 5 1/2"	Glass (flint + green)
		DIAMETER	47,2 mm	DATE	01/08/2007	CAT. No
		WEIGHT	250 g	UNITS PER PALLET	3.675	S 2502B