

Product: **Pre-threaded 31.5 x 24 mm DSL-S**
Bottle Neck finish: **DIN 6094-7; GME 305C; GF 305**

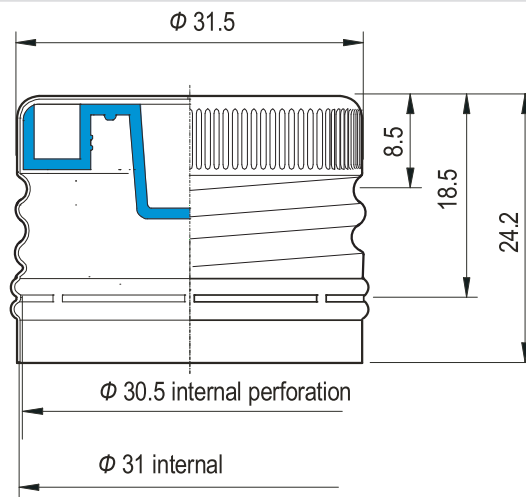
Shell Material

Al Composition	EN AW-8011A
Al Condition	H14
Specific gravity g/cm ³	2,71
Tensile strength Rm MPa	110 - 150
Elongation. A50, % min	3,0
Anisotropy, % max	2,0
Material Thickness, mm	0,22 ±0,01

Closure Characteristics

Outside diameter , mm	Ø 31.5 ± 0.3
Height, mm	24.2 ± 0.2
Inside diameter, mm	Ø 31 min
Weight without liner, gr.	1,79 ± 1%
Internal lacquer type	Mod. polyester base

Closure Drawing

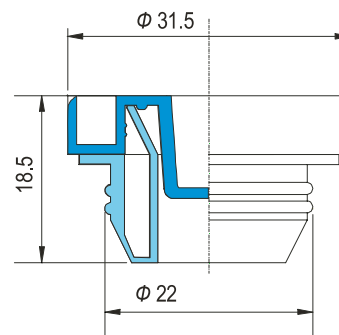


LINER Polyethylene drop-stop liner

Liner material: **HDPE**
Density, g/cm³ **0.952**

User has to verify the closures suitability with the specific bottled product and to guarantee the absence of chemical and organoleptic alterations.

Liner Drawing



Food Contact Approval: All materials intended to come into contact with food are in conformity with the European Community directives, the relevant national regulations and the relevant FDA requirements.

All products comply with Commission directive 94/62/EC concerning heavy metals.

All resins and additives used for inside lacquer production comply with the following Regulations:

- Commission directive 2002/72/ EC of 6 August 2002 relating to plastic materials and articles intended to come into contact with foodstuffs.
- FDA regulation; CFR 21, chapter 175.300 Resinous and polymeric coatings

Packaging specification

Quantity, pcs.	2 500 pcs	Pallet type – Euro pallet	Dimension 1200x800x*
Box Dimension, mm	600 x 400 x 420 mm	* Height of the pallet may vary with customers' requirements	Stretch wrapped
Box weight	13 kg		
Cardboard Type	Corrugated five layer cardboard	Outside packing	
Polyethylene Sack	Polyethylene –non-toxic, antistatic <100 ppm Pb, Cd, HgCr⁺⁶	Pallet identification	Labelling
Adhesive Strip (Scotch)	50 mm		
Product Identification	Labelling		

Notes: Closures shall be stored in a well-ventilated place avoiding direct sunlight and strong odour for the period of 1 year. Pallets shall not be stacked.