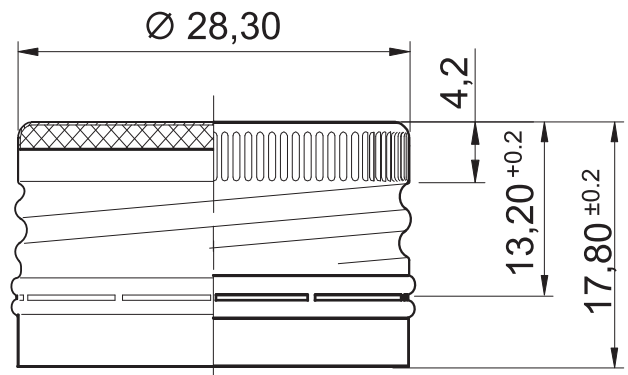


Product: **28 x 18 mm (pre-threaded)**

Shell Material

Al Composition	EN AW-8011A
Al Condition	H14
Specific gravity g/cm ³	2.71
Tensile strength Rm MPa	110 - 150
Elongation. A50, % min	≥ 3
Anisotropy, % max	≤ 2
Material Thickness, mm	0.23 ± 0,01

Closure Drawing



Closure Characteristics

Outside diameter, mm	Ø 28.30
Height, mm	17.80 ± 0.2
Inside diameter, mm	Ø 27.8 ^{+0.2}
Weight without liner, g.	1.25 ± 1%
Internal lacquer type	Mod. epoxy
External lacquer type	Mod. epoxy

Resins obtained from monomers without any phenols or phtalates.

LINER

Liner material:	Foam polyethylene
Liner thickness, mm	1.8 ± 10%
Liner weight, g	0.36 ± 1%

User has to verify the closures suitability with the specific bottled product and to guarantee the absence of chemical and organoleptic alterations.

Food Contact Approval: All materials intended to come into contact with food are in conformity with the European Community directives, the relevant national regulations and the relevant FDA requirements.

All products comply with Commission directive 94/62/EC concerning heavy metals.

All resins and additives used for inside lacquer production comply with the following Regulations:

- Commission directive 10/2011 relating to plastic materials and articles intended to come into contact with foodstuffs.
- FDA regulation; CFR 21, chapter 175.300 Resinous and polymeric coatings

Packaging specification

Quantity, pcs.	5 000 pcs	Pallet type – Euro pallet	Dimension 1200 x 800 x*
Box Dimension, mm	600 x 400 x 360 mm	* Height of the pallet may vary with customers' requirements	
Cardboard Type	Corrugated five layer cardboard		
Polyethylene Sack	Polyethylene –non-toxic, antistatic	Outside packing	Stretch wrapped
Adhesive Strip (Scotch)	<100 ppm Pb, Cd, HgCr⁺⁶		
Product Identification	50 mm Labelling	Pallet identification	Labelling

Notes: Closures shall be stored in a well-ventilated place avoiding direct sunlight and strong odour for the period of 1 year.
Pallets shall not be stacked.